

BAKE AND ROAST OVEN



JSR-236

MODEL NO.	DESCRIPTION
<input type="checkbox"/> JSR-24	SINGLE OVEN, 24" WIDE
<input type="checkbox"/> JSR-224	DOUBLE OVEN, 24" WIDE
<input type="checkbox"/> JSR-36	SINGLE OVEN 36" WIDE
<input type="checkbox"/> JSR-36C	SINGLE CONVECTION OVEN 36" WIDE
<input type="checkbox"/> JSR-236	DOUBLE OVEN 36" WIDE
<input type="checkbox"/> JSR-236CC	DOUBLE CONVECTION OVENS 36" WIDE

STANDARD FEATURES

- Stainless steel front, sides and top
- 14 gauge all welded construction
- Stainless steel oven interior, bottom and sides removable on standard ovens.
- One chrome plated oven rack (wires curled and welded around main frame with no sharp ends)
- Oven controls located in cool zone
- Stainless steel gas tubing throughout
- Stainless steel adjustable 6" legs
- 3/4" gas regulator

ACCESSORIES

- 36" flex hose with quick disconnect & restraining device
- 48" flex hose with quick disconnect & restraining device
- Additional oven rack (two supplied per oven)

DESCRIPTION:

To be model #JSR _____ manufactured by Jade. To have 14 gauge all welded body with stainless steel front, sides and top to support counter equipment. Provide pilot safety for each oven with stainless steel throughout. Unit to be provided with 3/4" gas regulator and 6" adjustable legs.

SPECIFY BASE

STANDARD OVEN

To have (1) or (2) conventional oven base with stainless steel lining. Oven sides and bottom to be removable without tools. Provide with one oven rack, with wires curled around main frame and chrome plated. Thermostat to adjust from 150°F to 500°F to have 35,000 BTU/hr burner per oven. Oven interior (20" W x 14" H x 24" D)(28" W x 14" H x 24" D).

CONVECTION OVEN

To have (1) or (2) convection oven base with 14 gauge stainless steel interior. Provide with one oven rack, with wires curled around main frame and chrome plated. Thermostat to adjust from 150°F to 500°F to have 30,000 BTU/hr burner. Provide with 1/3 HP 115/60/1 blower motor. Oven interior (19-3/4" W x 13-1/2" H x 20-1/2" D)(27-3/4" W x 13-1/2" H x 20-1/2" D).

CABINET BASE

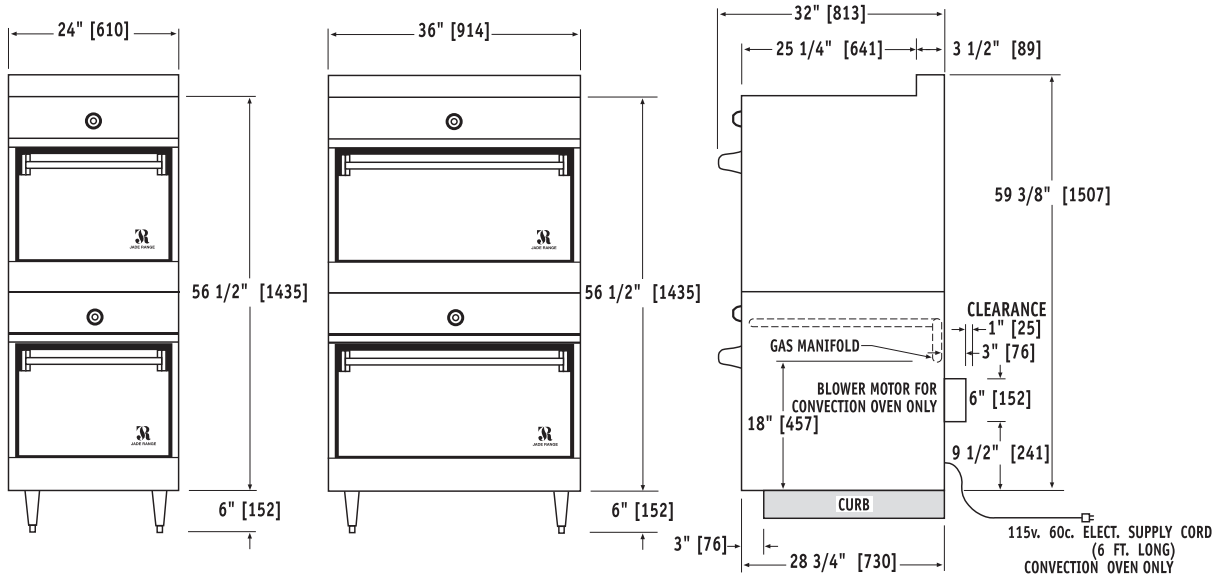
To have open cabinet base constructed of 14 gauge all welded steel.

SPECIFY TYPE OF GAS WHEN ORDERING.

SPECIFY ALTITUDE WHEN ABOVE 2,000 FT.



BAKE AND ROAST OVEN



MODEL	BTUS	WIDTH	DEPTH	HEIGHT	APPX. SHP. WT.
JSR-24	30,000	24"	31"	SEE DRAWING	155 lbs.
JSR-224	60,000	24"	31"	" "	340 lbs.
JSR-36	30,000	36"	31"	" "	205 lbs.
JSR-36C	30,000	36"	32"	" "	245 lbs.
JSR-236	60,000	36"	31"	" "	420 lbs.
JSR-236CC	60,000	36"	32"	" "	500 lbs.

ELECTRIC CONVECTION OVEN ONLY:

- Power Supply: 115/60/1 - 6 foot cord with 3 prong plug
- Total maximum amps 4.0/oven
- Electronic Spark Ignitor: activated by power switch, ignites standing pilot
- Fan Switch: three positions, on for normal operation, on for quick cool down, off.

NOTE: SPECIFY TYPE OF GAS WHEN ORDERING.

UTILITY INFORMATION:

- 3/4" Connection - see drawing for location
- Required operating pressure:
Natural Gas 5" W.C. minimum
Propane Gas 10" W.C. minimum
14" W.C. maximum

Note: This unit must be connected with the gas appliance regulator supplied.